

brand	ERMA
-------	------

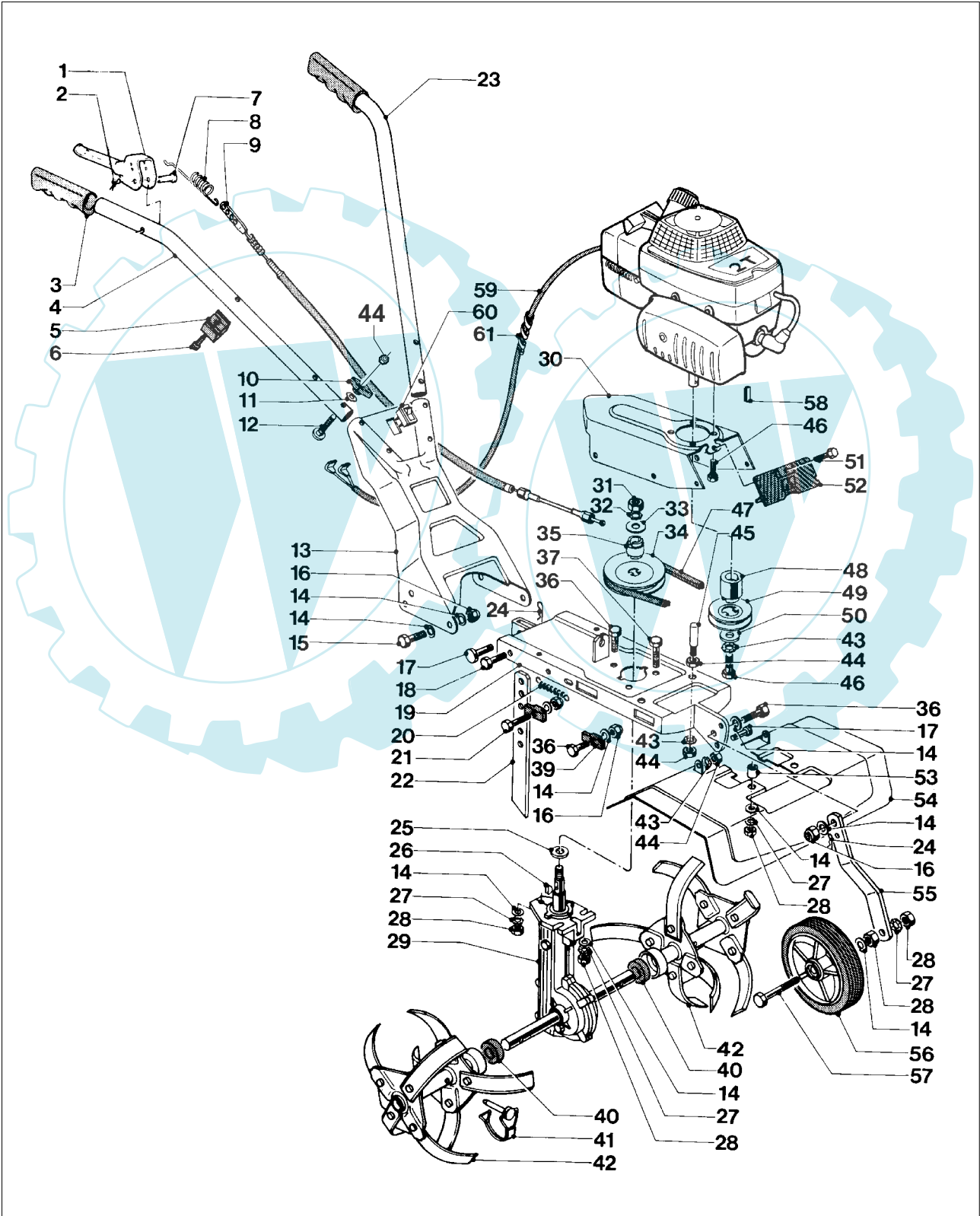
date	MAR/03	SHEET 1/4
------	--------	-----------

Model

TALPA 160

Product number

953875225





Service

brand	ERMA
-------	------

## ELECTROLUX OUTDOOR PRODUCTS

date	MAR/03	SHEET 2/4
------	--------	-----------

Model

TALPA 160

Product number

953875225

Pos.	PN ELX	PN MEP	DESCRIPTION	Q.ty	NOTE
1	531203157	10128683	clutch lever	1	
2	531207408	10651300	cotter pin	1	
3	531205267	10122683	sheating	2	
4	531205262	10122662	handle	1	
5	531207923	10876103	cable bearing	1	
6	531207937	10878000	screw	1	Ø 3.9x16
7	531207409	10651400	pin	1	
8	531205326	10123380	spring	1	
9	531205273	10122730	clutch cable	1	
10	531204960	10115703	wing nut	4	M6
11	531204961	10115900	washer	4	Ø 6,5
12	531207842	10830800	screw	4	M6 x 40
13	531205281	10122772	handle bearing	1	
14	531204922	10114200	washer	20	Ø 8
15	531208585	20382300	screw	4	M8 x2 0
16	531208599	20404900	nut	9	M8Autobloccante
17	531205293	10122990	pin	2	TE M6 x 16
18	531208769	20655100	screw	2	M8 x 35
19	531205248	10122622	deck	1	
20	531205290	10122920	spring	2	
21	531205196	10121700	screw	2	
22	531205291	10122973	rod	1	
23	531205265	10122672	handle	1	
24	531206653	10281400	cotter pin	2	
25	531206629	10244700	washer	1	14/29
26	531204907	10100900	key	1	WOODRUFF4x6,5
27	531207981	20106200	washer	6	8/E
28	531207982	20106300	nut	7	M8
29	531204421	09123520	reducer kit	1	
30	531205254	10122632	upper deck	1	
31	531207978	20101700	nut	1	M10
32	531208974	30102100	washer	1	Ø 10/E
33	531207989	20113000	washer	1	Ø 30/10
34	531205243	10122590	pulley	1	
35	531205286	10122870	couping	1	
36	531208586	20385300	screw	3	M8x25
37	531204905	10069100	screw	2	M8x45
39	531205275	10122753	slider	4	
40	531205297	10123043	washer	2	GOMMA
41	531205271	10122710	pin with spring	2	
42	531205270	10122703	blade star	2	
43	531208499	20286606	washer	5	Ø 6/E
44	531207165	10501200	nut	10	M6
45	531205292	10122980	pin	2	
46	531205284	10122810	screw	5	Ø 1/4" UNCx20
47	531205272	10122720	belt	1	Z17 (10x432 Li)
48	531205285	10122860	coupling	1	



Service

brand	ERMA
-------	------

**ELECTROLUX OUTDOOR PRODUCTS**

date	MAR/03	SHEET 3/4
------	--------	-----------

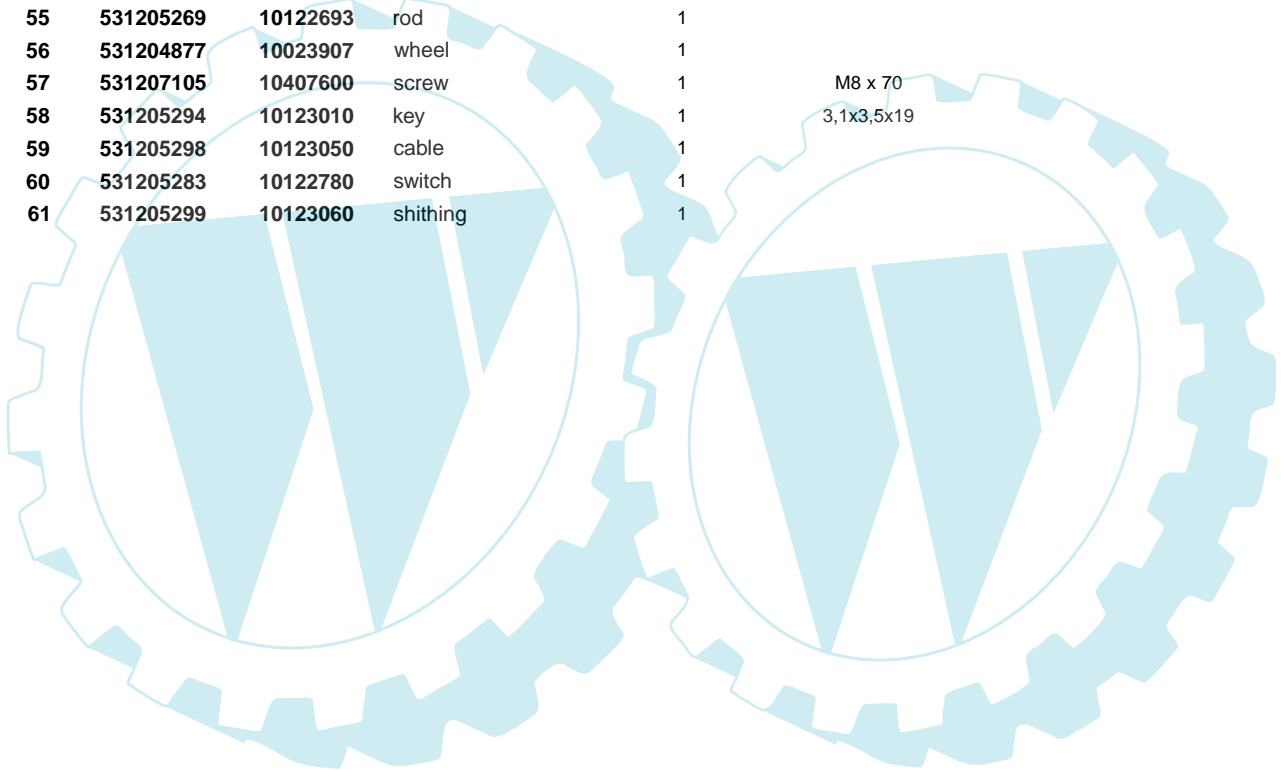
Model

TALPA 160

Product number

953875225

Pos.	PN ELX	PN MEP	DESCRIPTION	Q.ty	NOTE
49	531205257	10122650	pulley	1	
50	531205307	10123090	washer	1	Ø 6/30
51	531207120	10427400	screw	1	Ø 4,8 x 13
52	531205276	10122763	plate	1	
53	531205296	10123030	spacer	2	
54	531205256	10122643	deflector	1	
55	531205269	10122693	rod	1	
56	531204877	10023907	wheel	1	
57	531207105	10407600	screw	1	M8 x 70
58	531205294	10123010	key	1	3,1x3,5x19
59	531205298	10123050	cable	1	
60	531205283	10122780	switch	1	
61	531205299	10123060	shifting	1	



brand	ERMA
-------	------

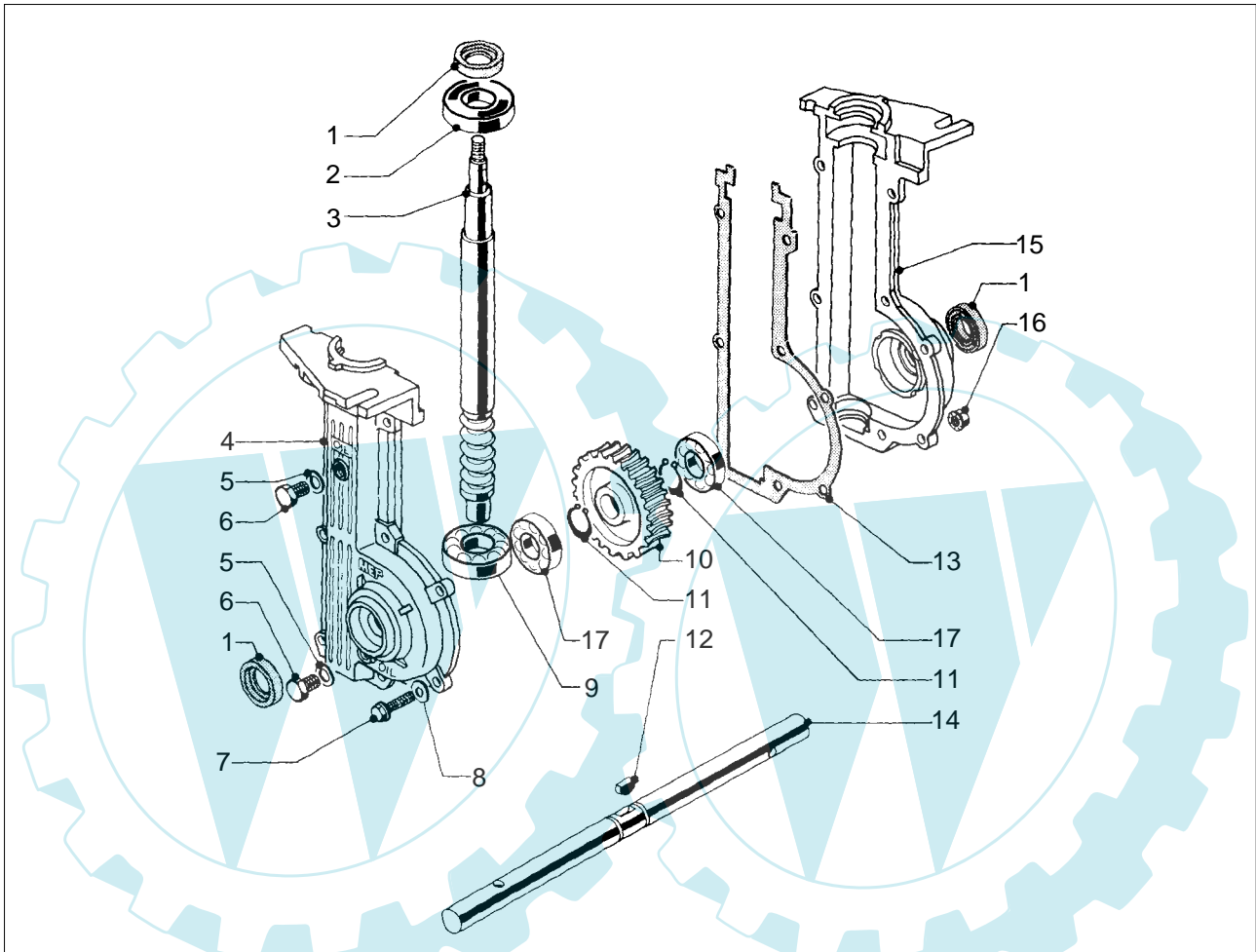
date	MAR/03	SHEET 4/4
------	--------	-----------

Model

<b>TALPA 160</b>

Product number

<b>953875225</b>



Pos.	PN ELX	PN MEP	DESCRIPTION	Q.ty	NOTE
1	531208505	20286637	gas ring	3	D.20/32/7 RP
2	531208050	20122560	ball-bearing	1	20/47/14 6204 2RS
3	531208086	20123480	worm screw	1	
4	531208084	20123450	right box	1	
5	531208881	20763600	gasket	2	
6	531208882	20763700	plug	2	D.1/8" GAS
7	531206665	10283700	screw	6	TE M6x25-UNI5737- 8,8 ZB
7	531208425	20228705	screw	2	TE M6x35 UNI 5737-8,8-ZB
8	531208751	20650519	washer	8	6E
9	531208087	20123490	ball-bearing	1	30203 17/40/13,25
10	531208075	20123120	crown gear	1	
11	531208502	20286631	seeger	2	D.20E-UNI7437
12	531208069	20122960	key	1	5x6,5
13	531208088	20123510	gasket	1	
14	531208076	20123130	shaft	1	
15	531208085	20123460	left box	1	
16	531208063	20122790	nut	8	M6 FLANGIATO
17	531208077	20123140	ball-bearing	2	20/42/12 - 6004